

AMENITY AREA ENLARGEMENT

SCALE 1:75

**Kingsley Bate Amalfi Loveseat**

HSKB93-K  
GENERAL DIMENSIONS 55" D X 33" W X 33" H

**Kingsley Bate Amalfi Sofa**

HSKB90-K  
GENERAL DIMENSIONS 80" D X 33" W X 33" H

**Kingsley Bate Amalfi End Table**

HSTK071  
Sku: HSTK071  
Dimensions: 21.5" SQ. x 15" H

GROUP SEATING

**Fire Pit Light Weight Concrete with Edge**

HSDK017-NG  
Sku: HSDK017  
Dimensions: 36" Dia. x 16" H

PROVIDED BY HAUSER. 905.770.8742 OR APPROVED SUBSTITUTE

**WASTE RECEPTACLE**

MATERIALS  
The MLWR400-25 Trash Container frame is constructed using H.S. steel tube. The sides are constructed with, lasered steel panels. A 25 gallon commercial grade plastic liner and metal lid are provided.

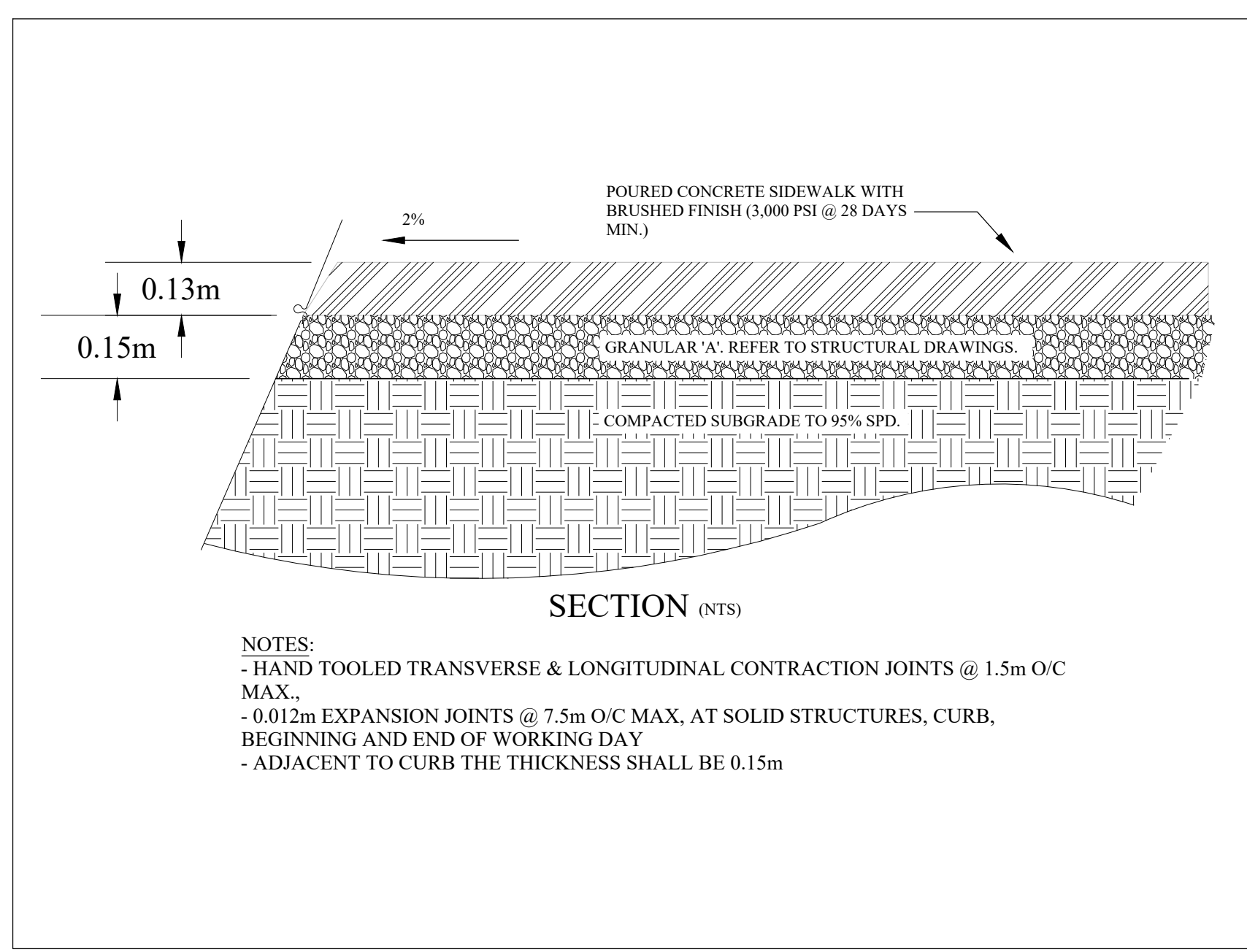
DIMENSIONS  
MLWR400-25-M MLWR400-25-W MLWR400-25-PC(X)  
MLWR400-25-R(X)  
Height: 30.00" (76.2cm)  
Width: 21.00" (53.3cm)  
Depth: 21.00" (53.3cm)  
WEIGHT  
MLWR400-25-M: 127lbs (57kg.)

FINISHES  
All steel components are protected with E-Coat Rust Proofing. The Maglin Powdercoat System provides a durable finish on all metal surfaces.

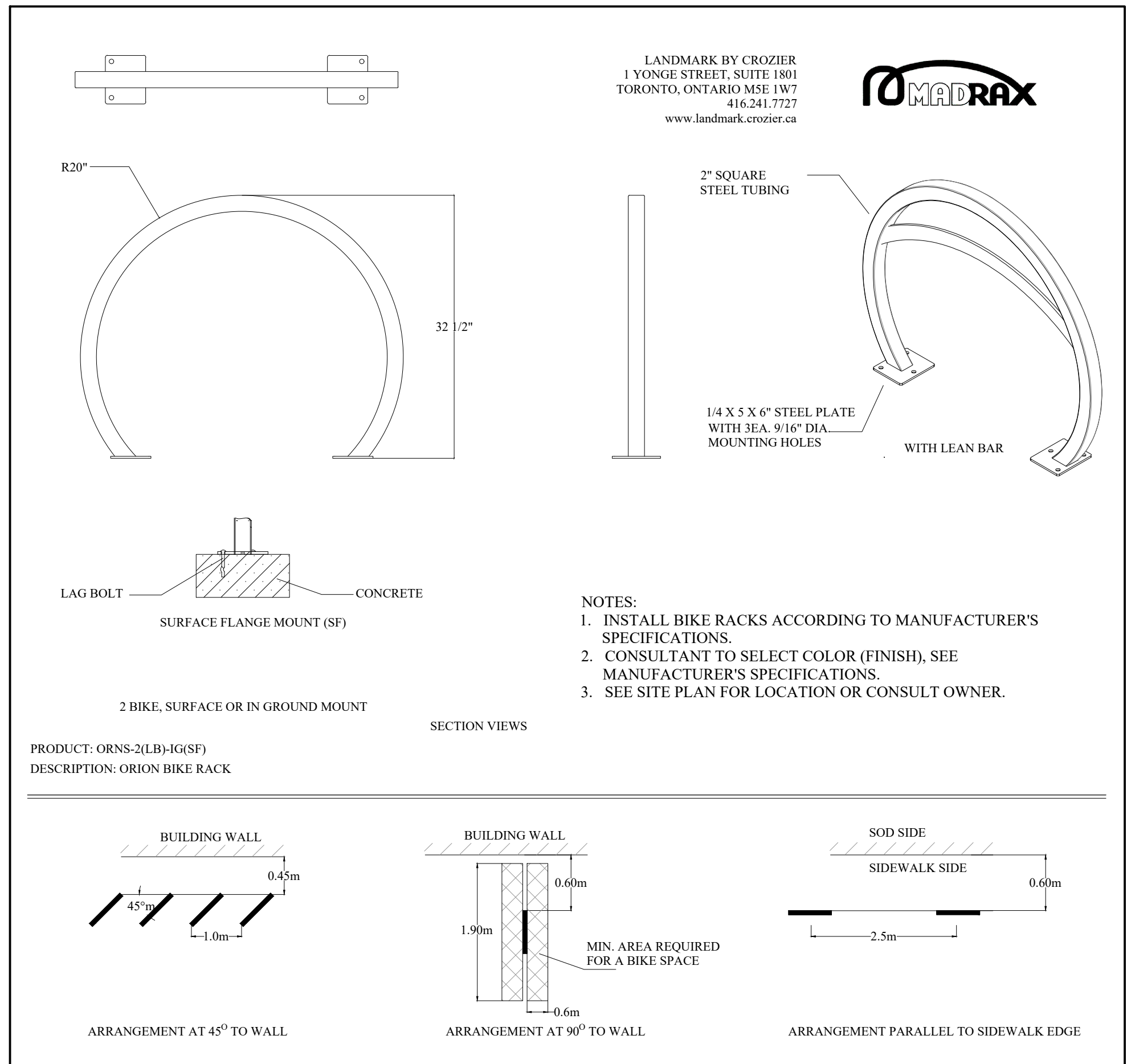
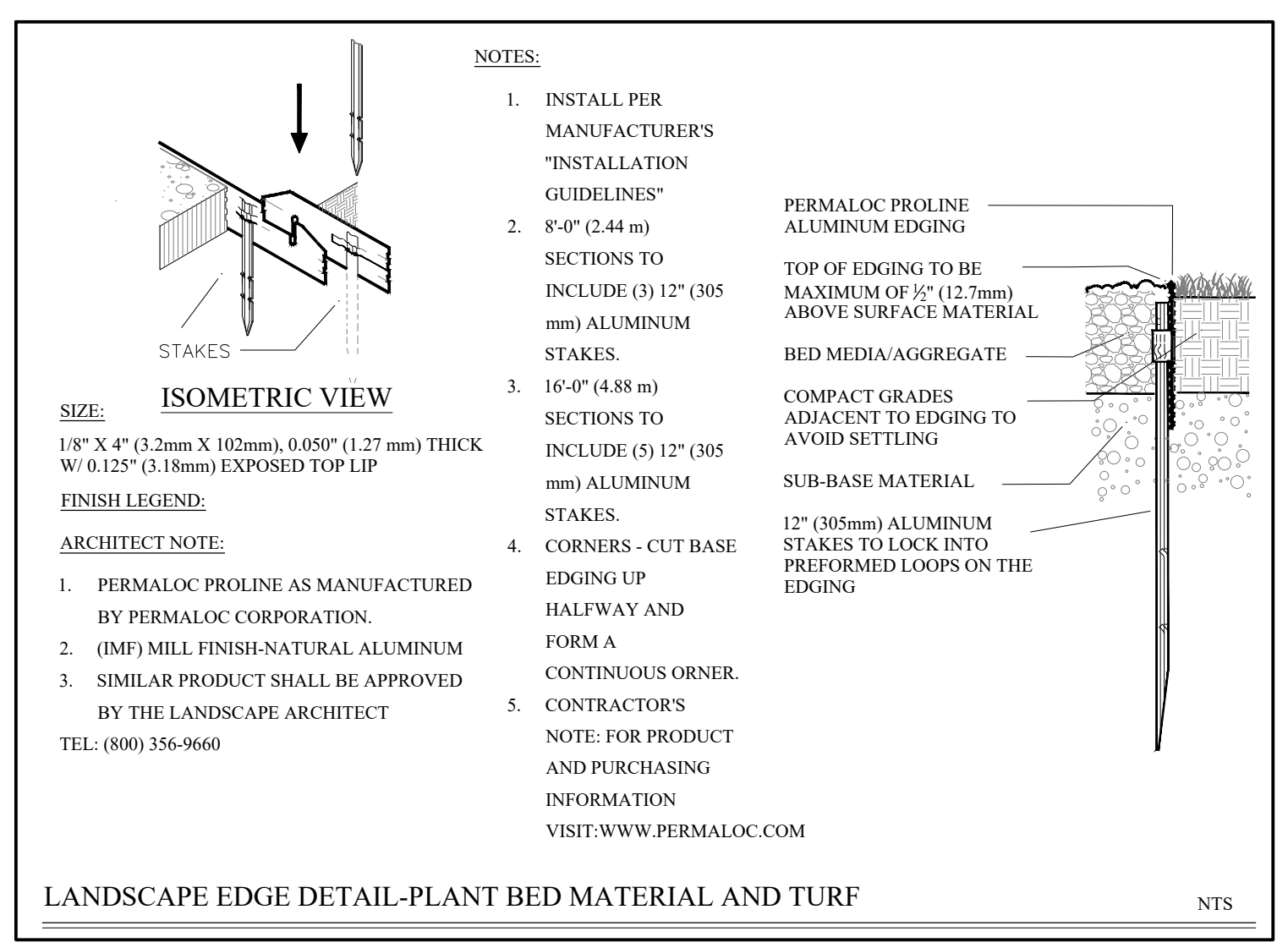
INSTALLATION  
The MLWR400-25 Series Trash Containers are delivered pre-assembled. Holes (0.5") are provided in each mounting foot for securing to base.

MAGLIN MLWR400-25 Trash Container

FIRE PIT



CONCRETE WALKWAY DETAIL (typ.)



BIKE RACK DETAIL



**GENERAL NOTES**

CONTRACTOR IS RESPONSIBLE FOR ALL LOCATES INCLUDING ALL UNDERGROUND SERVICES PRIOR TO ANY EXCAVATION OR INSTALLATIONS. THE CONTRACTOR IS REQUIRED TO NOTIFY THE VARIOUS UTILITY COMPANIES 48 HOURS PRIOR TO THE COMMENCEMENT OF ANY WORK.

ANY ACCOMPANYING DOCUMENTATION RELATING TO THE LANDSCAPE PLAN AND/OR PRESERVATION PLAN SUCH AS TENDER DOCUMENTS AND CHANGE NOTICES ARE TO BE ENDORSED BY J.D.B. ASSOCIATES LIMITED PRIOR TO THE BEGINNING OF ANY SITE WORKS. IN THE EVENT THAT OF A DISCREPANCY THE DRAWING SHALL BE ASSUMED CORRECT.

IT IS THE RESPONSIBILITY OF THE PERSON OR PERSONS RESPONSIBLE FOR THE CONSTRUCTED WORKS TO NOTIFY THE LANDSCAPE ARCHITECT WHEN PREPARED FOR ANY REQUIRED INSPECTIONS AND SIGN-OFFS.

SCHEDULED MEETINGS SHALL TAKE PLACE AT THE CLOSEST MUTUALLY CONVENIENT TIME.

No.	REVISION	DATE	APRVD.
1.	CLIENT REVIEW	August 6, 2020	SJT
2.	SUBMISSION TO THE TOWN	Sept. 23, 2020	MC
3.	RESUBMISSION AS PER COMMENTS	May 6, 2021	MC
4.	REVISIONS AS PER UPDATED SITE PLAN	June 9, 2021	MC
FINAL FOR REGISTRATION			

BASE INFORMATION PROVIDED BY: ANDREW BERMAN ARCHITECT

BASE PLAN REVISED: May 2021

ALL DRAWINGS AND SPECIFICATIONS ARE INSTRUMENTS OF SERVICE AND ARE THE PROPERTY OF J. D. B. ASSOCIATES LIMITED. DRAWINGS ARE NOT TO BE MODIFIED AND/OR REPRODUCED WITHOUT THE WRITTEN CONSENT OF J.D.B. ASSOCIATES LIMITED. REPRODUCTION OF DRAWINGS IN ANY FORM WITHOUT THE CONSENT OF J.D.B. ASSOCIATES LIMITED VOIDS THE DRAWING AT WHICH TIME J.D.B. ASSOCIATES LIMITED ACCEPTS NO LIABILITY FOR THE DRAWING CONTENT OR WORKS RESULTING FROM SAID REPRODUCTION. DRAWINGS MAY BE REPRODUCED BY MUNICIPAL AND GOVERNMENT AGENCIES RESPONSIBLE FOR APPROVALS FOR THEIR OWN USE. J. D. B. ASSOCIATES RESERVES THE RIGHT TO WITHDRAW ANY DRAWINGS FROM GOVERNMENT OR MUNICIPAL AGENCIES WHETHER APPROVED OR NOT IN THE EVENT THAT ACCOUNTS ARE NOT SETTLED OR REMAIN OUTSTANDING.

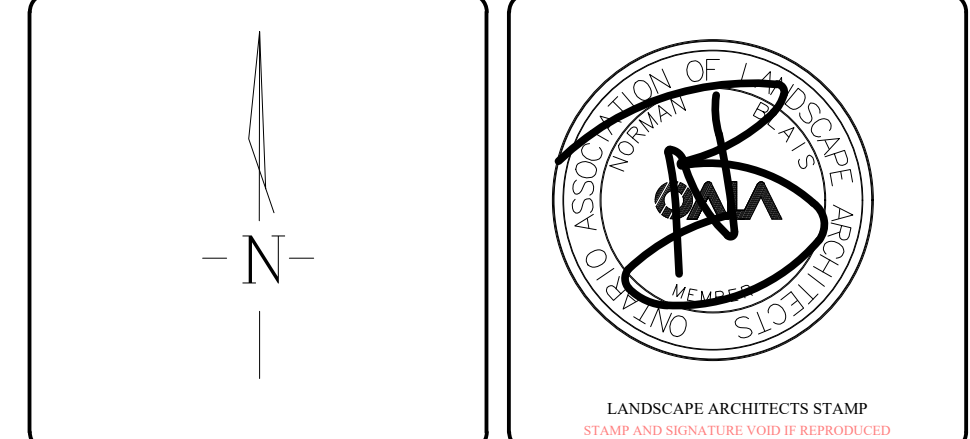
IT IS THE RESPONSIBILITY OF THE CONTRACTOR TO VERIFY ALL DIMENSIONS ON THE SITE AND REPORT ANY DISCREPANCIES OR VARIATIONS FROM THE SUPPLIED INFORMATION TO THE LANDSCAPE ARCHITECT WITH THE PROJECT. J. D. B. ASSOCIATES LIMITED IS NOT RESPONSIBLE FOR THE ACCURACY OF SURVEY, ARCHITECTURAL, MECHANICAL, ENGINEERING OR ELECTRICAL INFORMATION SHOWN ON THE DRAWING. FOR FURTHER INFORMATION REFER TO APPROPRIATE SURVEY, ARCHITECTURAL, MECHANICAL, ENGINEERING OR ELECTRICAL DRAWINGS PRIOR TO PROCEEDING WITH ANY WORKS.

THIS DRAWING IS NOT TO BE SCALED.

DATE \_\_\_\_\_

PRINT NAME \_\_\_\_\_

SIGNED OWNER/CLIENT \_\_\_\_\_



**JDB ASSOCIATES LTD.**

Urban Designers  
Landscape Architects  
Arborists

274 Burton Ave., Suite 1201  
Barrie, Ontario  
L4N 5W4

Fax: 705-722-5660  
Tel: 705-722-6278

**GEORGIAN BAY TERRACE**

1 LEGION STREET  
MEAFORD

LANDSCAPE DETAILS

SCALE:	DATE:	DESIGNED BY:	REVIEWED BY:
As shown	August 5, 2020	SJT	NB
TOWN FILE No.	OUR FILE REF. #	DRAWN BY:	LP-3
	13-20	SJT	