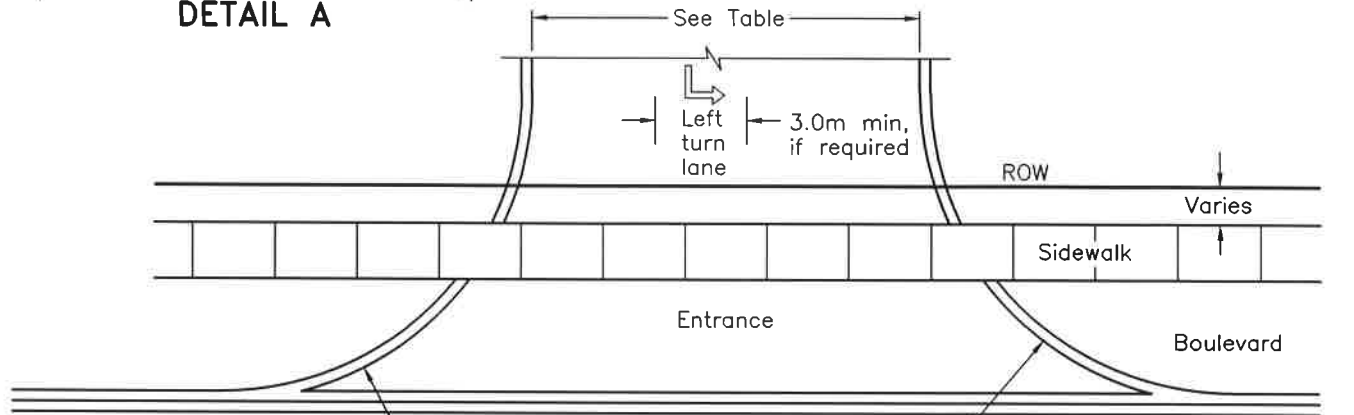


DETAIL A

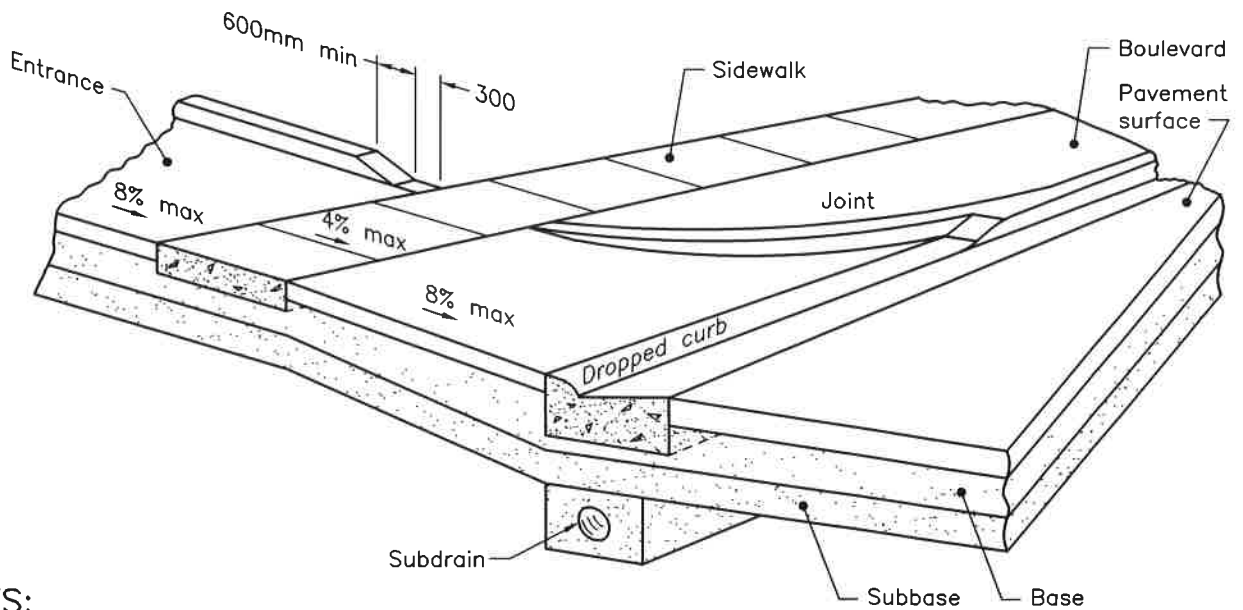
| DRIVEWAY DIMENSIONS | | | | | | |
|--|------------|-----|---------|------|-------------|------|
| LAND USE | WIDTH m | | | | RADIUS m | |
| | One-Way | | Two-Way | | min | max |
| | min | max | min | max | | |
| Light Industrial, Commercial, and Apartment | 4.5 | 7.5 | 7.2 | 12.0 | 4.5 | 12.0 |
| Heavy Industrial | 5.0 | 9.0 | 9.0 | 15.0 | 9.0 | 15.0 |



PLAN

Concrete curb or curb with gutter. For entrance without curb or curb with gutter see Detail A

See table for driveway radius



NOTES:

A All dimensions are in millimetres unless otherwise shown.

ONTARIO PROVINCIAL STANDARD DRAWING

Nov 2018

Rev 2

**URBAN
INDUSTRIAL, COMMERCIAL, AND
APARTMENT ENTRANCES**



OPSD 350.010