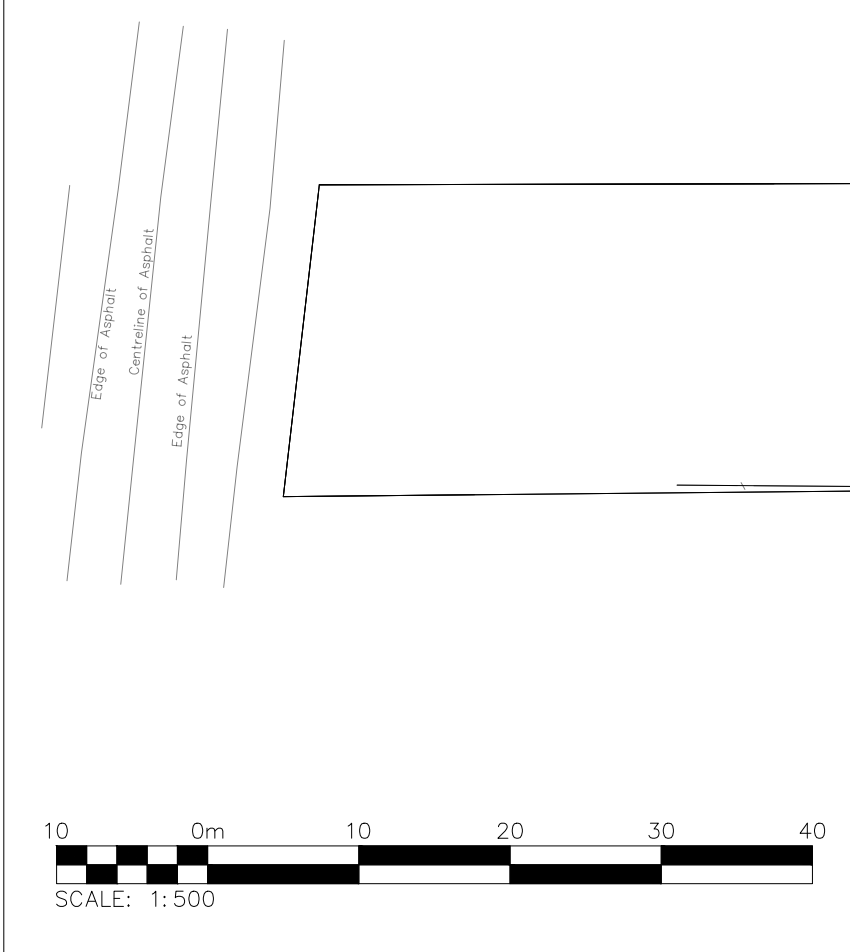
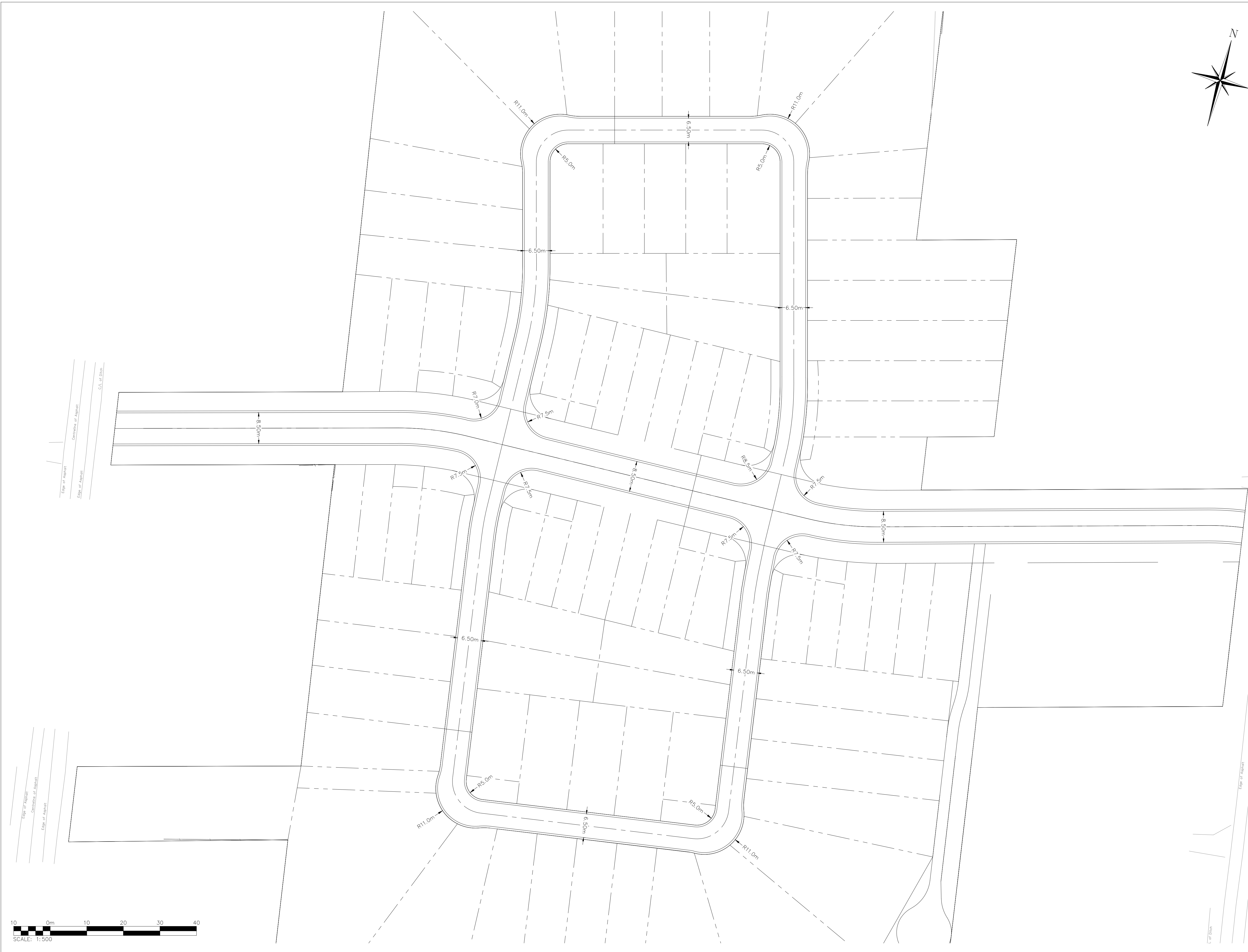



FOR REVIEW  
NOT TO BE USED FOR CONSTRUCTION



No.	ISSUE	DATE: MM/DD/YYYY
1	ISSUED FOR SUBMISSION	04/08/2022

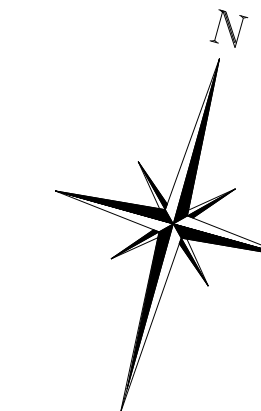
Project  
**UNION STREET  
MUNICIPALITY OF MEAFORD**

Drawing  
**DIMENSIONS**

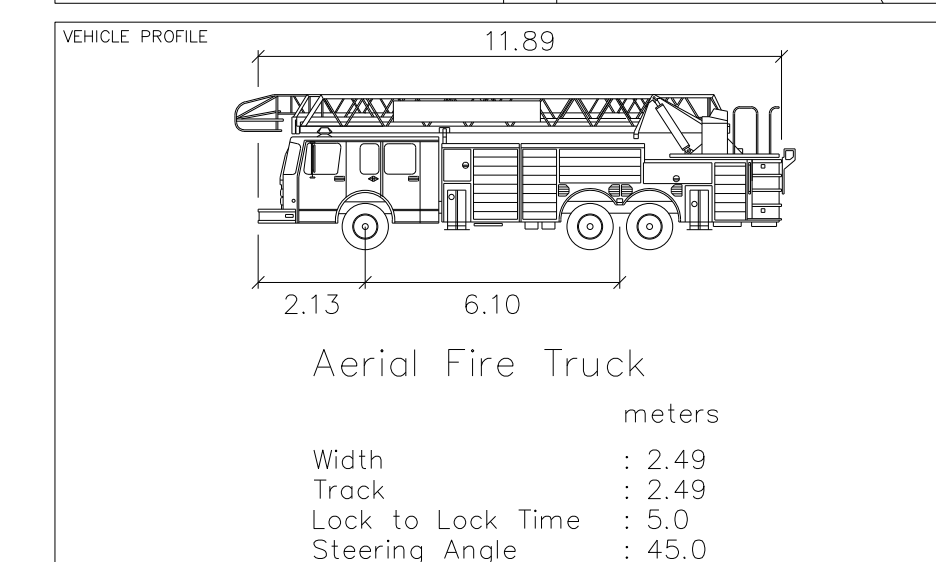
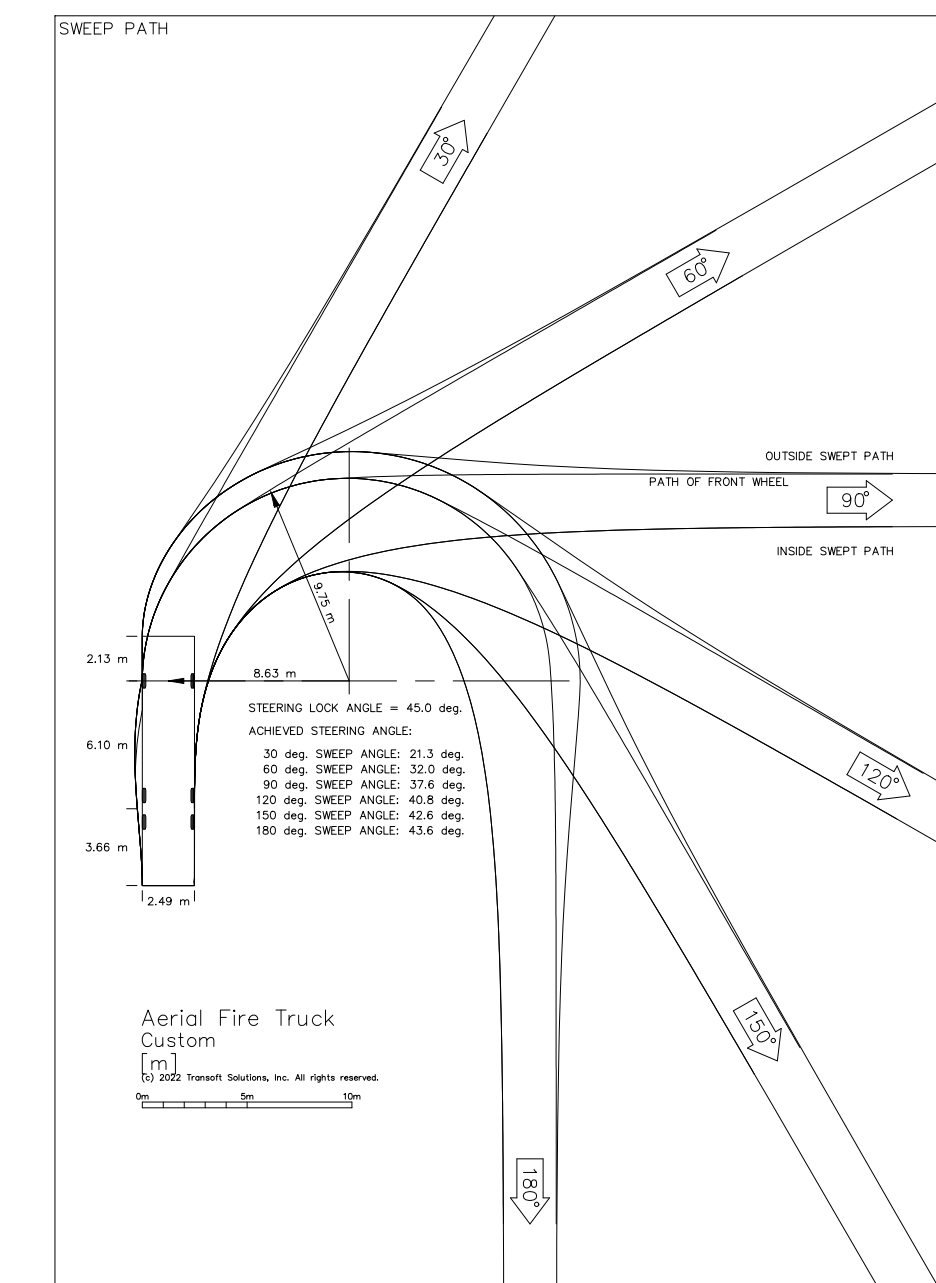
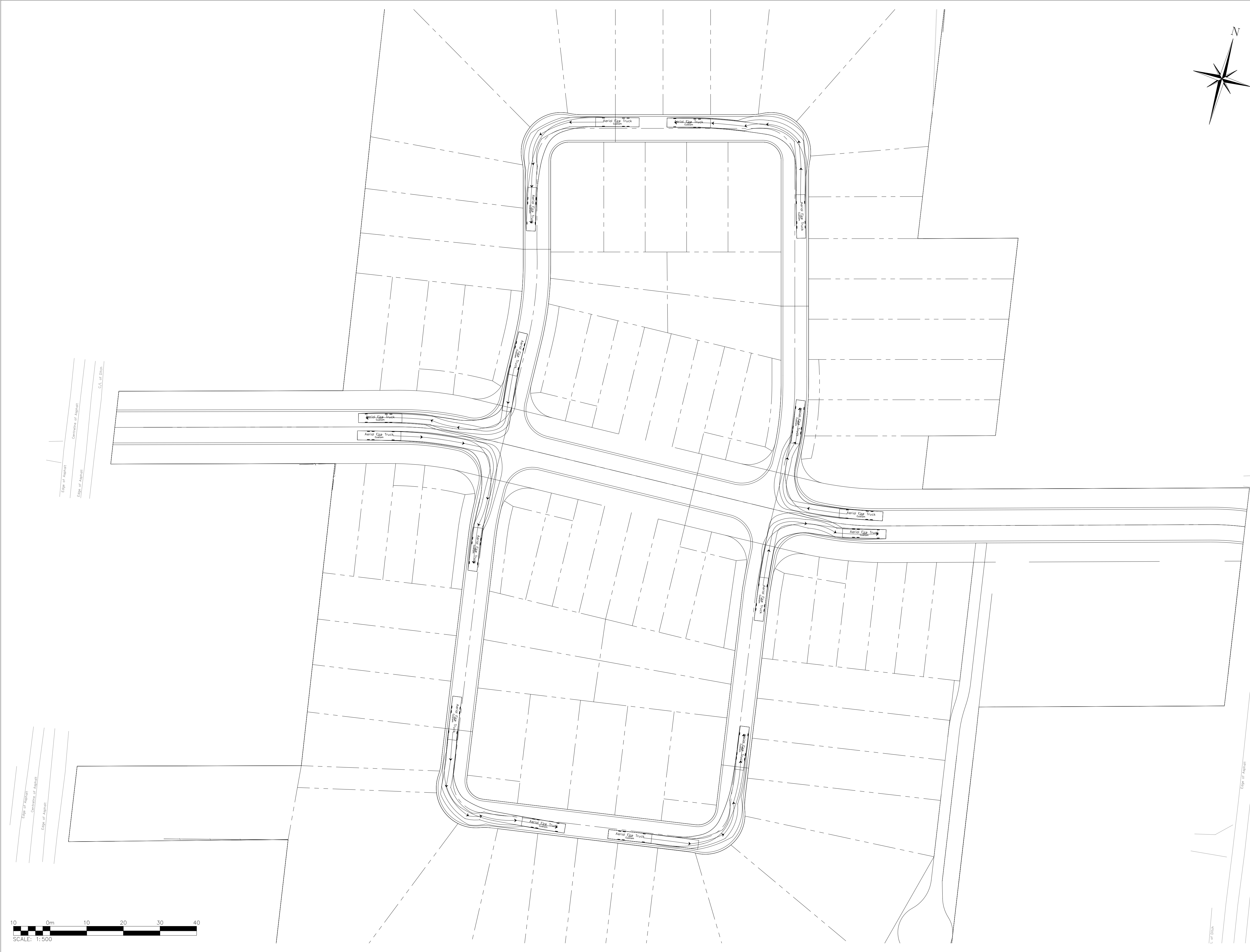
 **CROZIER**  
CONSULTING ENGINEERS

ADMIRAL BUILDING  
1 FIRST STREET, SUITE 200  
COLLINGSWOOD, ON, L9Y 1A1  
705-446-3510 T  
705-446-3520 F  
WWW.CROZIER.CA  
INFO@CROZIER.CA

Drawn By	S.C.	Design By	Project	1923-5641
Check By	N.F./S.S.	Check By	Scale	1:500
			Drawing	T300



**FOR REVIEW**  
 NOT TO BE USED FOR CONSTRUCTION



No.	ISSUE	DATE: MM/DD/YYYY
1	ISSUED FOR SUBMISSION	04/08/2022

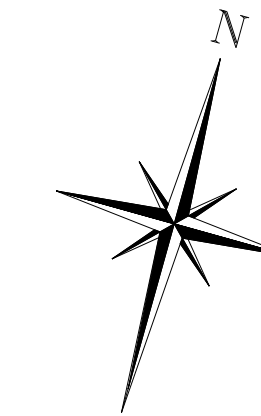
Project  
**UNION STREET  
 MUNICIPALITY OF MEAFORD**

Drawing  
**AERIAL FIRE TRUCK  
 VEHICLE MANEUVERING ANALYSIS**

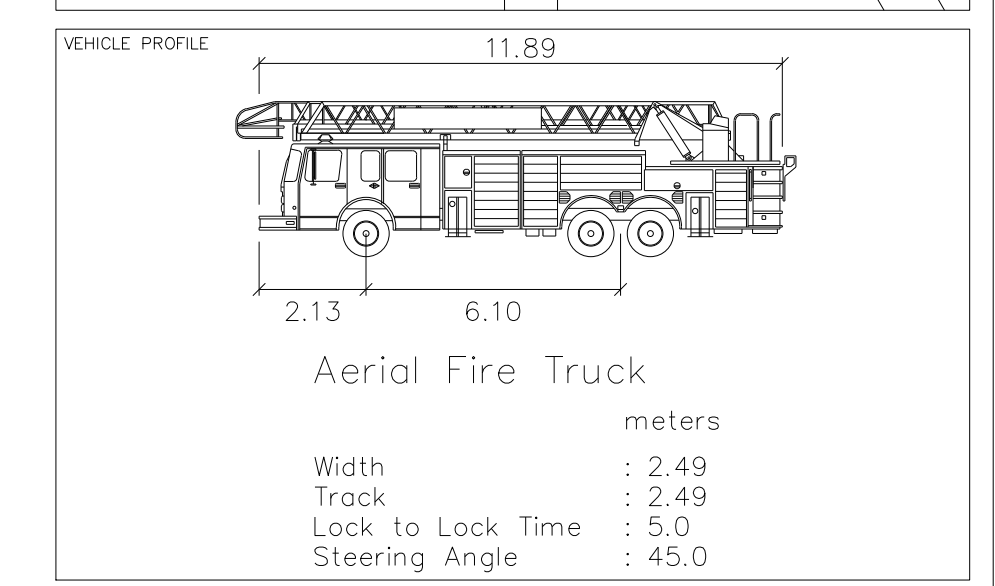
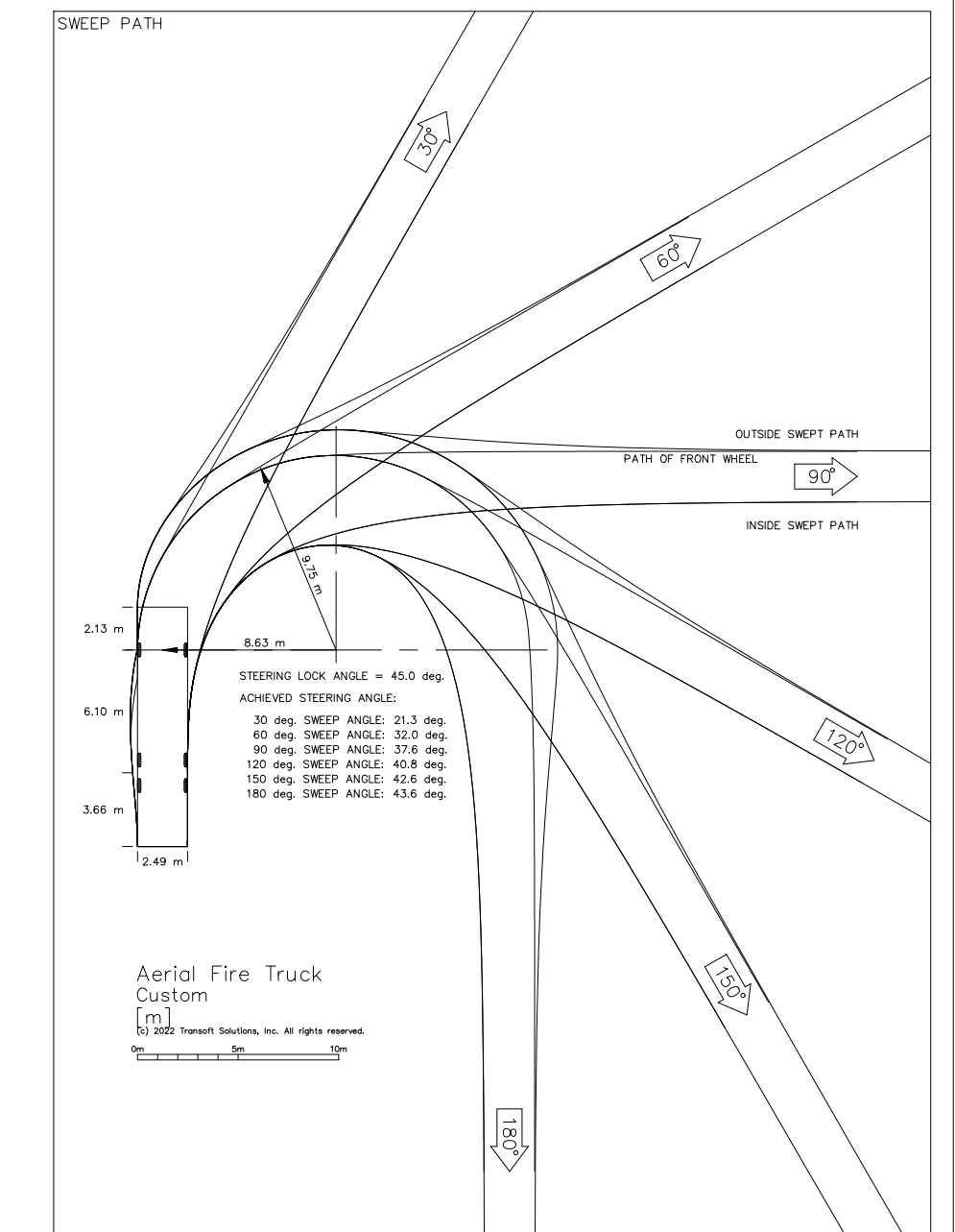
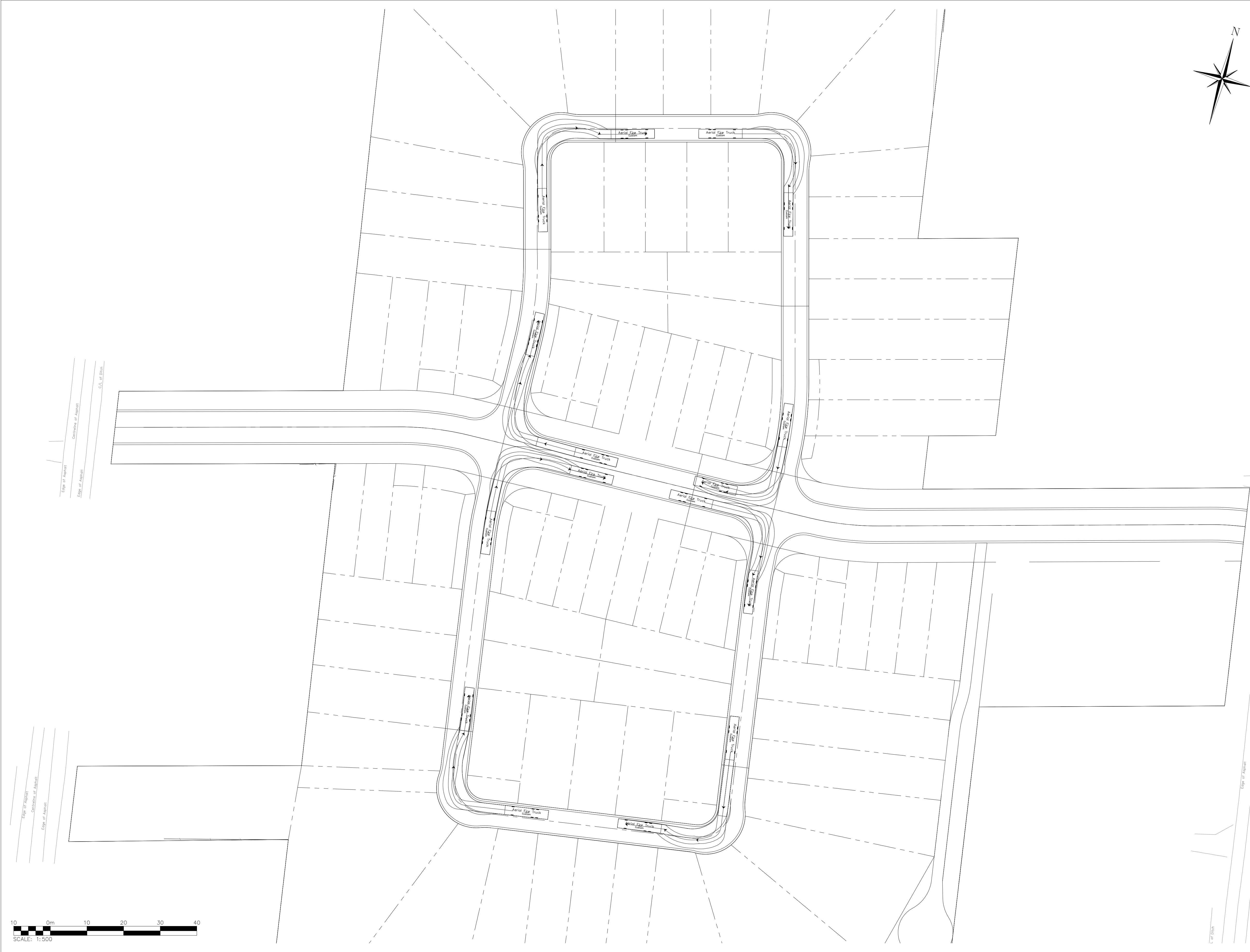
**CROZIER**  
 CONSULTING ENGINEERS

ADMIRAL BUILDING  
 1 FIRST STREET, SUITE 200  
 COLLINGSWOOD, ON, L9Y 1A1  
 705-446-3510 T  
 705-446-3520 F  
 WWW.CROZIER.CA  
 INFO@CROZIER.CA

Drawn By: S.C. Design By: Project: 1923-5641  
 Check By: N.F./S.S. Check By: Scale: 1:500 Drawing: T301



**FOR REVIEW**  
 NOT TO BE USED FOR CONSTRUCTION



No.	ISSUE	DATE: MM/DD/YYYY
1	ISSUED FOR SUBMISSION	04/08/2022

Project: **UNION STREET MUNICIPALITY OF MEAFORD**

Drawing: **AERIAL FIRE TRUCK VEHICLE MANEUVERING ANALYSIS**

**CROZIER CONSULTING ENGINEERS**  
 ADMIRAL BUILDING  
 1 FIRST STREET, SUITE 200  
 COLLINGSWOOD, ON, L9Y 1A1  
 705-446-3510 T  
 705-446-3520 F  
 WWW.CROZIERCA.INFO@CROZIERCA

Drawn By: S.C. Design By: Project: 1923-5641  
 Check By: N.F./S.S. Check By: Scale: 1:500 Drawing: T302

